

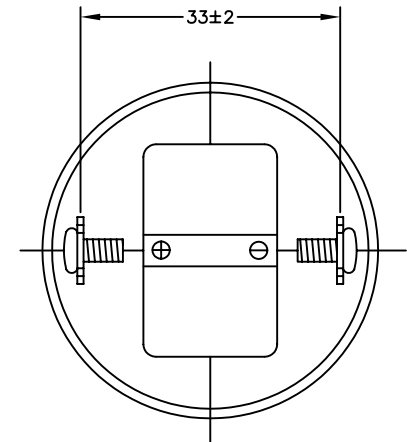
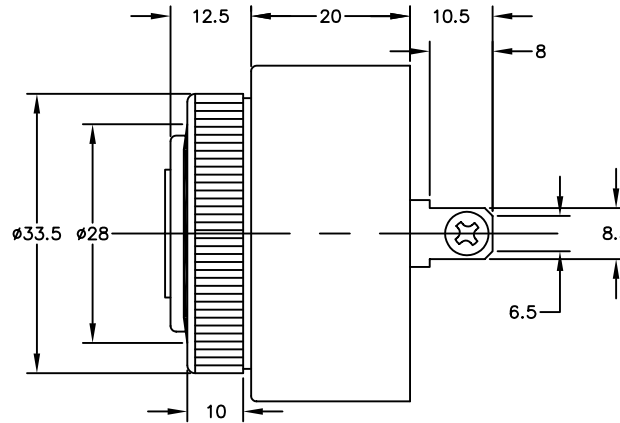
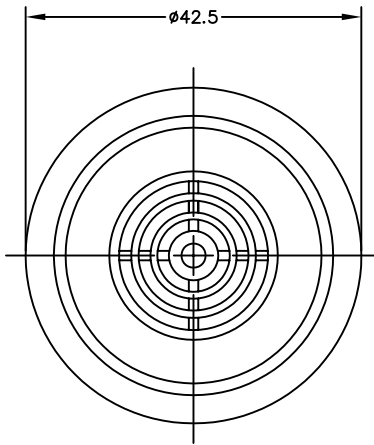
THIS DOCUMENT CONTAINS DATA PROPRIETARY TO PROJECTS UNLIMITED, INC. ANY USE OR REPRODUCTION, IN ANY FORM, WITHOUT PRIOR WRITTEN PERMISSION OF PROJECTS UNLIMITED, INC. IS PROHIBITED.
© 2003, Projects Unlimited Inc.

SPECIFICATIONS

PARAMETERS	VALUES	UNITS
RATED VOLTAGE	12	Vdc
OPERATING VOLTAGE RANGE	6 ~ 28	Vdc/Vac
RATED CURRENT (MAX)	10	mA
MINIMUM SPL @ 10 cm.	90	dBA
RESONANT FREQUENCY	2,800±500	Hz
TONE OR PULSE RATE	SLOW PULSE	1.2 PULSE PER SECOND
OPERATING TEMPERATURE	-30 ~ +85	°C
STORAGE TEMPERATURE	-40 ~ +85	°C
HOUSING MATERIAL	NYLON	-
TERMINAL MATERIAL	Sn PLATED BRONZE	-
WEIGHT	40	grams

REVISIONS

LTR	DESCRIPTION	DATE	APPROVED
-	RELEASED FROM ENGINEERING	6/21/06	



NOTES:

- ALL DIMENSIONS ARE IN MILLIMETERS.
- SPECIFICATION SUBJECT TO CHANGE OR WITHDRAWAL WITHOUT NOTICE.
- THIS PART IS RoHS 2002/95/EC COMPLIANT.

UNLESS OTHERWISE SPECIFIED:
DIMENSIONS ARE IN MILLIMETERS, TOLERANCES ARE ±0.5 AND ANGLES ARE ±3°.

APPROVALS	DATE
DRAWN <i>J.D.</i>	6/06
CHECKED <i>E.P.</i>	6/06
APPROVED <i>B.R.</i>	6/06

THIS PART IS UL RECOGNIZED IN THE USA AND CANADA.



FILE NAME
AI-4228-P-SP28D-R.DWG



projects®
unlimited

Dayton, Ohio

INDICATOR

SIZE
A

DRAWING NO.
AI-4228-P-SP28D-R

DO NOT SCALE DRAWING

SCALE: N.T.S.

SHEET 1 OF 1